

CONTENTS PAGE

2 - Parts list

3 - Wedge kicker instructions

9 - Transporting

PARTS LIST

2 - Wedge kicker panels

2 - Legs

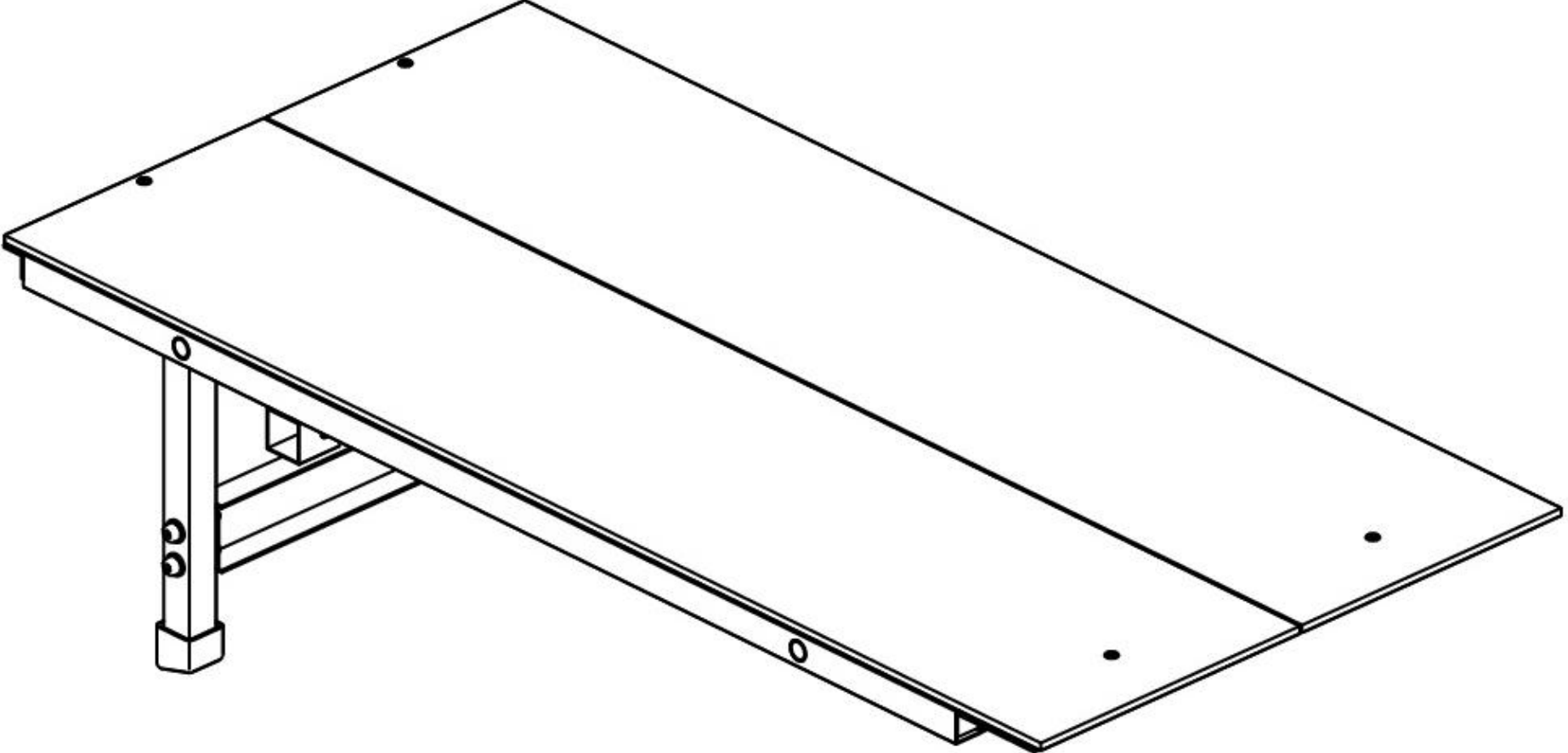
1 - Leg bracket

4 - Bolts

4 - Washers

2 - Rubber feet

WEDGE KICKER INSTRUCTIONS

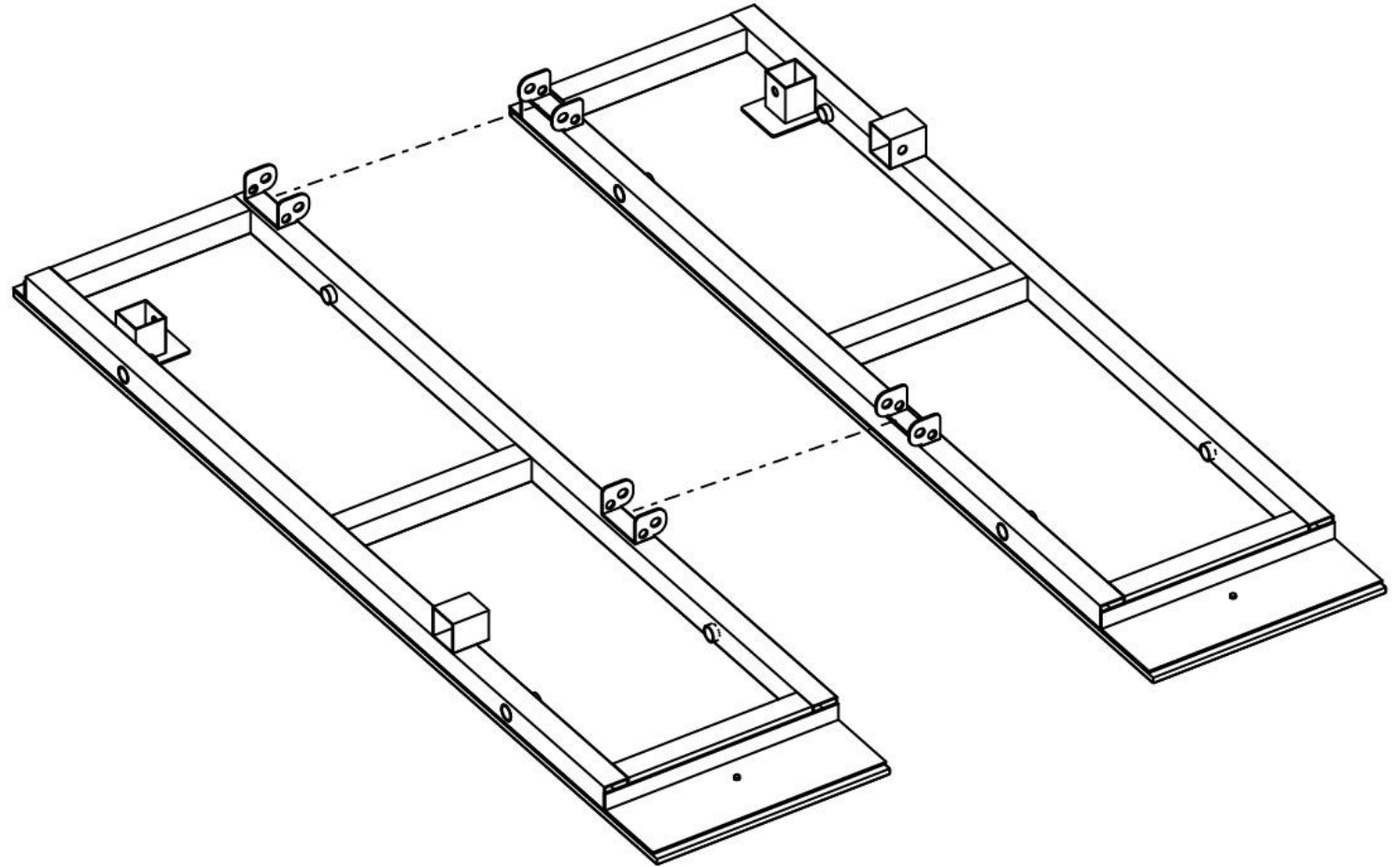


ALIGNING PANELS

STEP 1

Place both of the panels together and align the hinges

Make sure they are placed so the ends are flush with each other



BOLTING HINGES

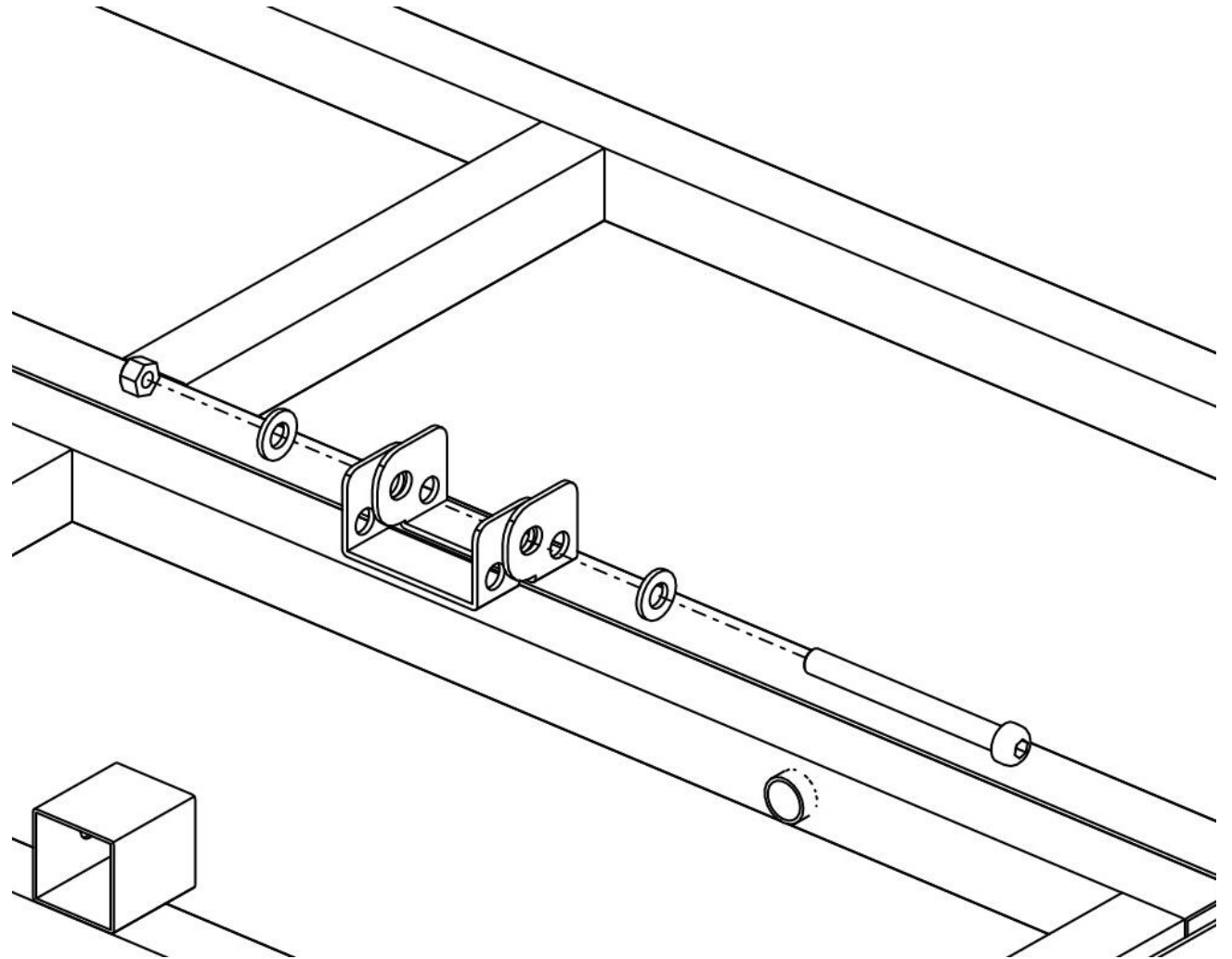
STEP 2

On each hinge grab a small washer and place it on the 3" bolt and insert it through both hinges

Place a small washer on the other side and follow it with a lock nut and tighten

Caution:

Do not tighten the lock nut too tight



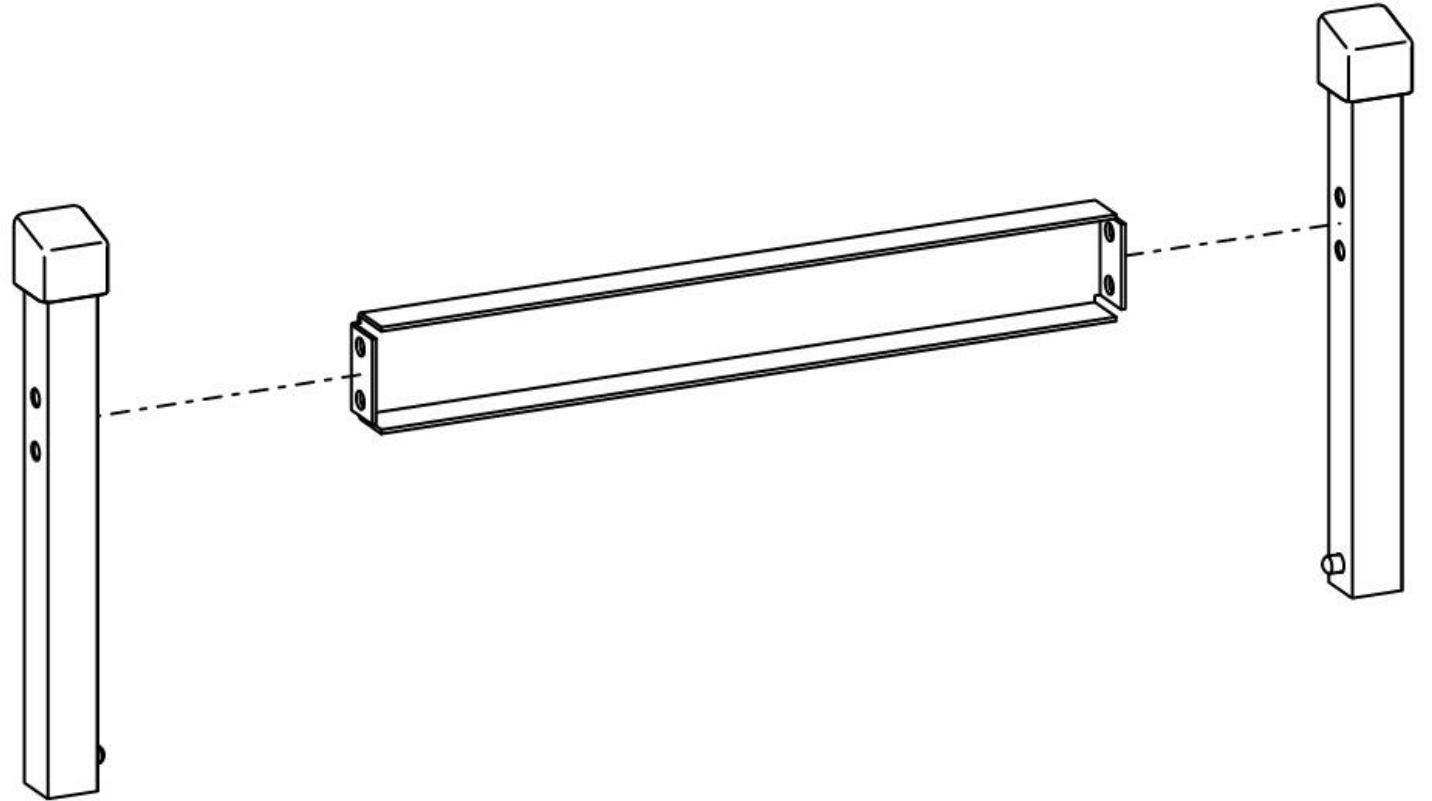
LEG ASSEMBLY

STEP 3

Place the two legs on both sides of the support plate

Align the holes with the legs and plate

The plate should be facing outwards as shown

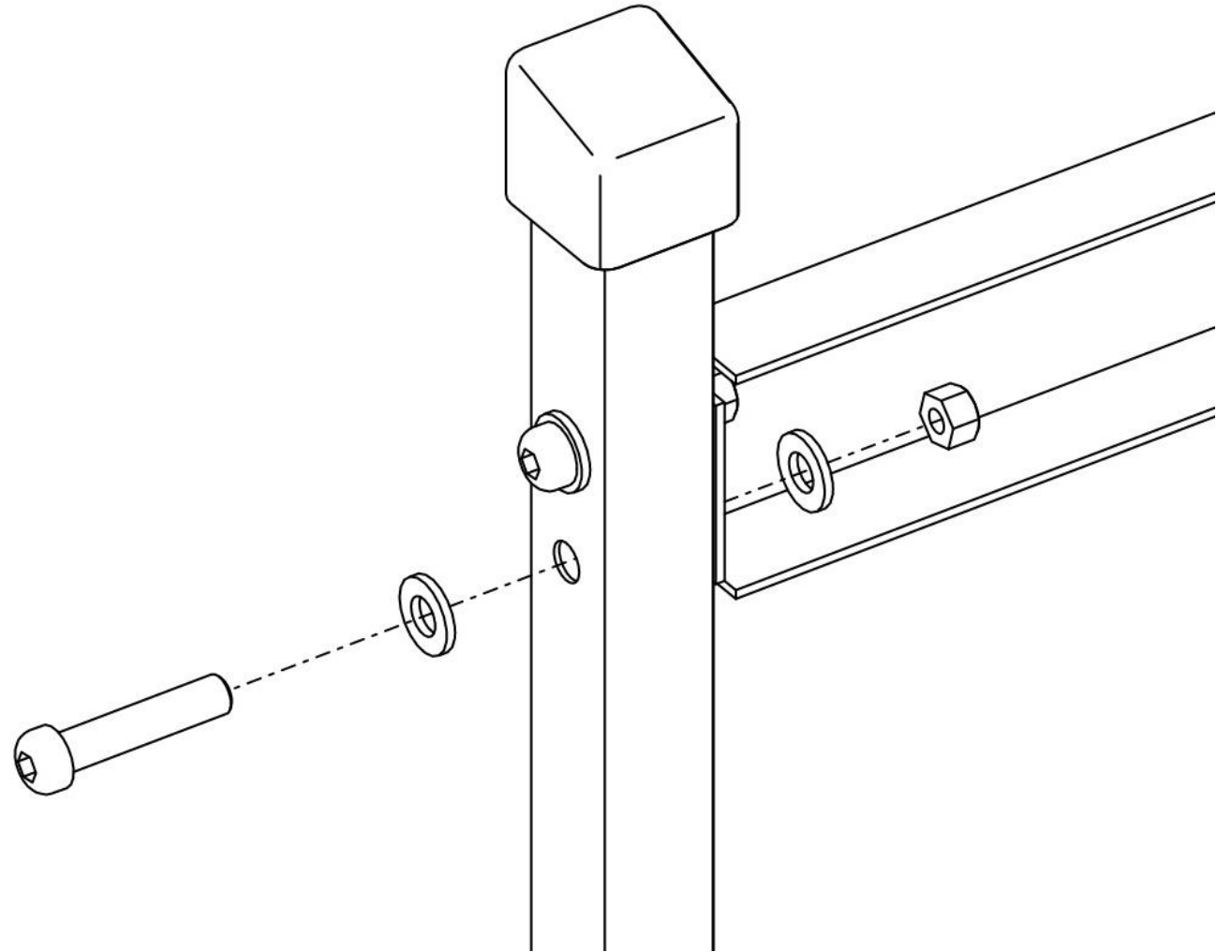


LEG ASSEMBLY

STEP 4

On each of the 4 holes grab a small washer and place it on the 2" bolt and insert it through both the leg and the plate

Place a small washer on the other side and follow it with a lock nut and tighten



INSERTING LEGS

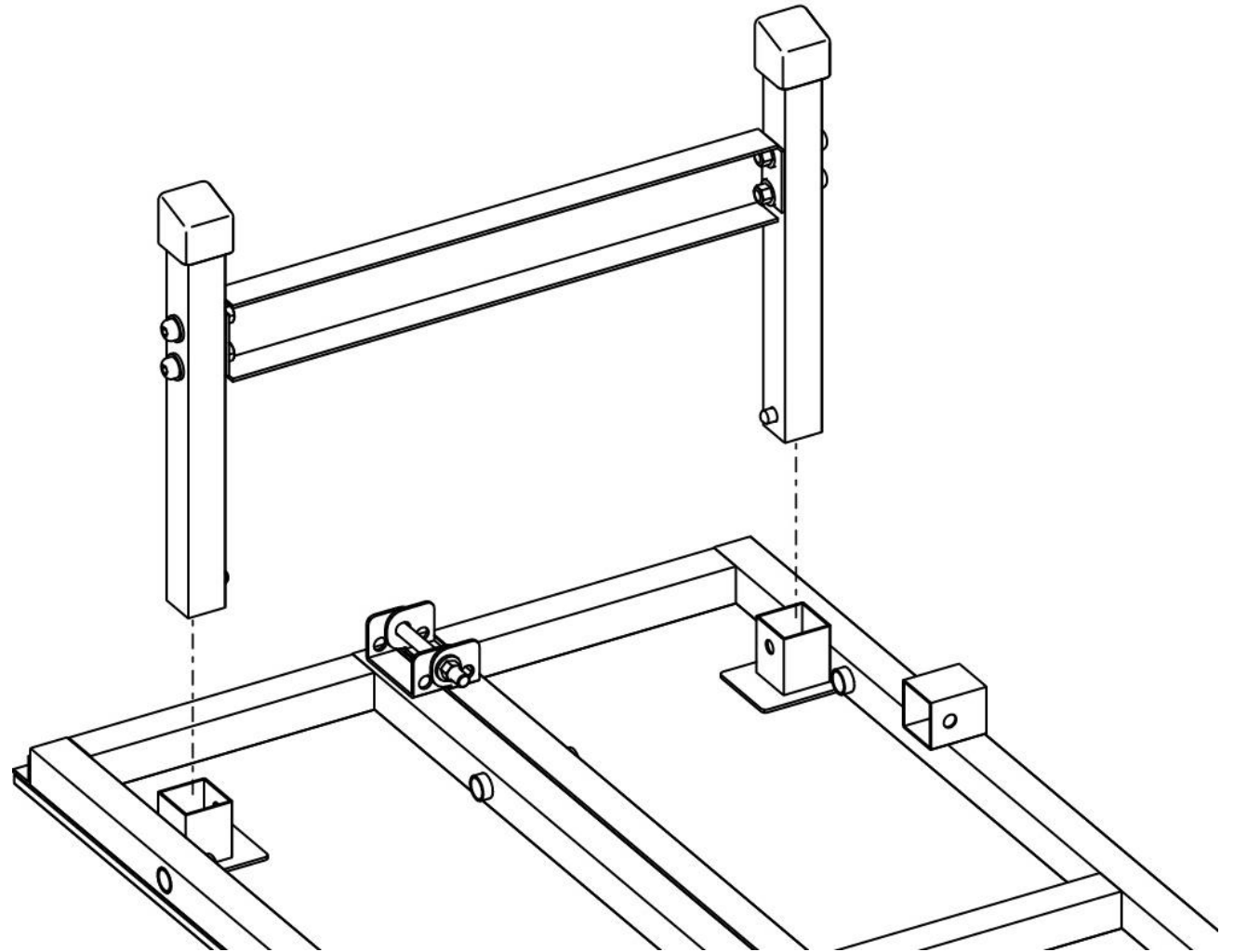
STEP 5

Place leg assembly into receivers of ramp

Push in the buttons on the legs to allow it to lock into the receivers

Once the leg is pushed in, the buttons will lock the leg into place

To remove the leg assembly simply push in the buttons and pull out the leg assembly



TRANSPORTING

STEP 6

Place leg assembly into receivers when it is closed up to lock the ramp together

When it is locked you can transport it by holding the leg as a handle and carrying it around with you wherever you go

